

SPARE PARTS SECTION

Motorised Swage & Jenny Models. SJM-2.5, SJM-4.0

Order Code S636, Order Code S637

Edition No : SJM-2.5,4.0-1

Date of Issue : 09/2020

The following section covers the spare parts diagrams and lists that were current at the time this manual was originally printed. Due to continuous improvements of the machine, changes may be made at any time without notification.

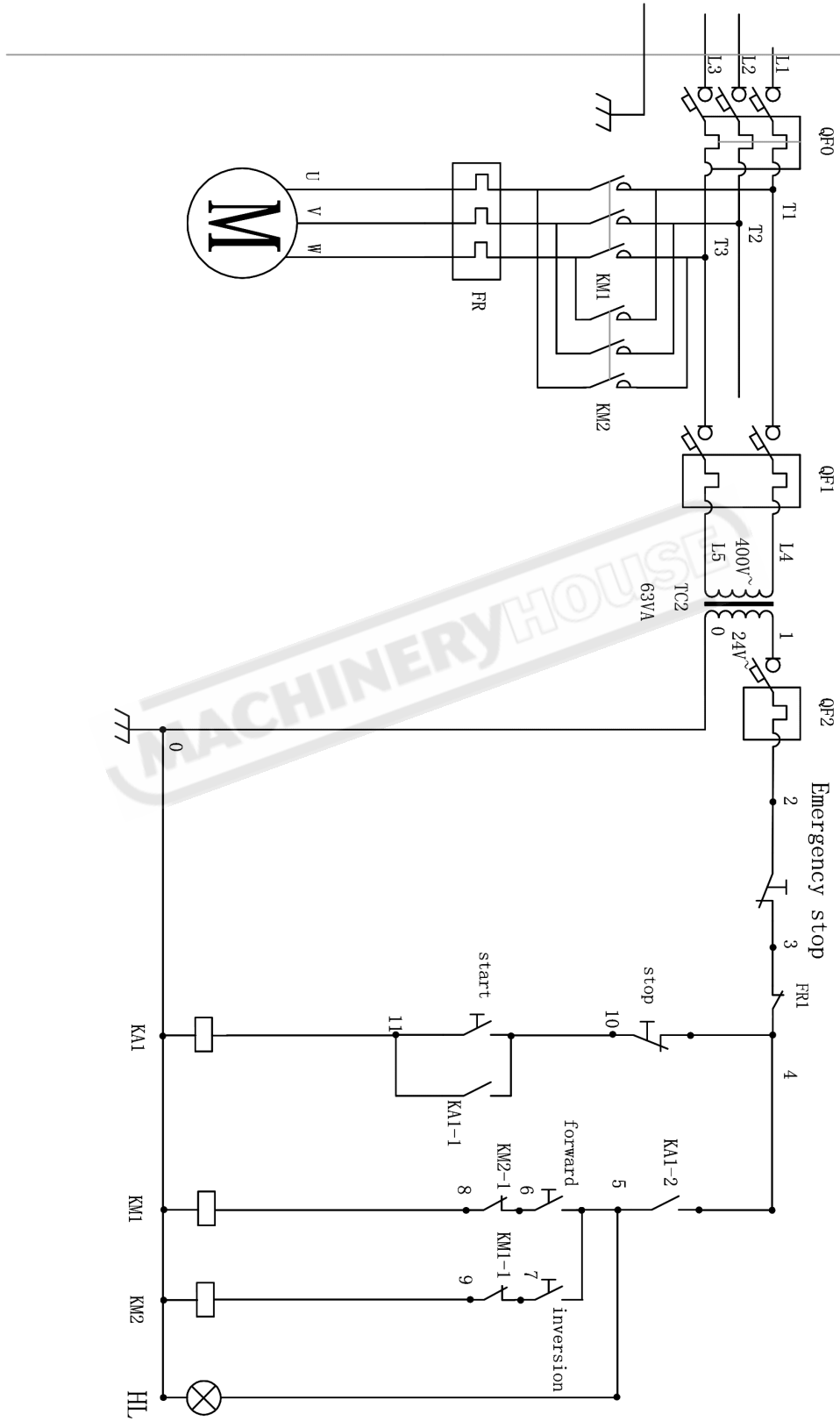
HOW TO ORDER SPARE PARTS

1. Have your machines **model number, serial number & date of manufacture** on hand, these can be found on the specification plate mounted on the machine
2. A scanned copy of your parts list/diagram with required spare part/s identified
3. Go to www.machineryhouse.com.au/contactus and fill out the inquiry form attaching a copy of scanned parts list.

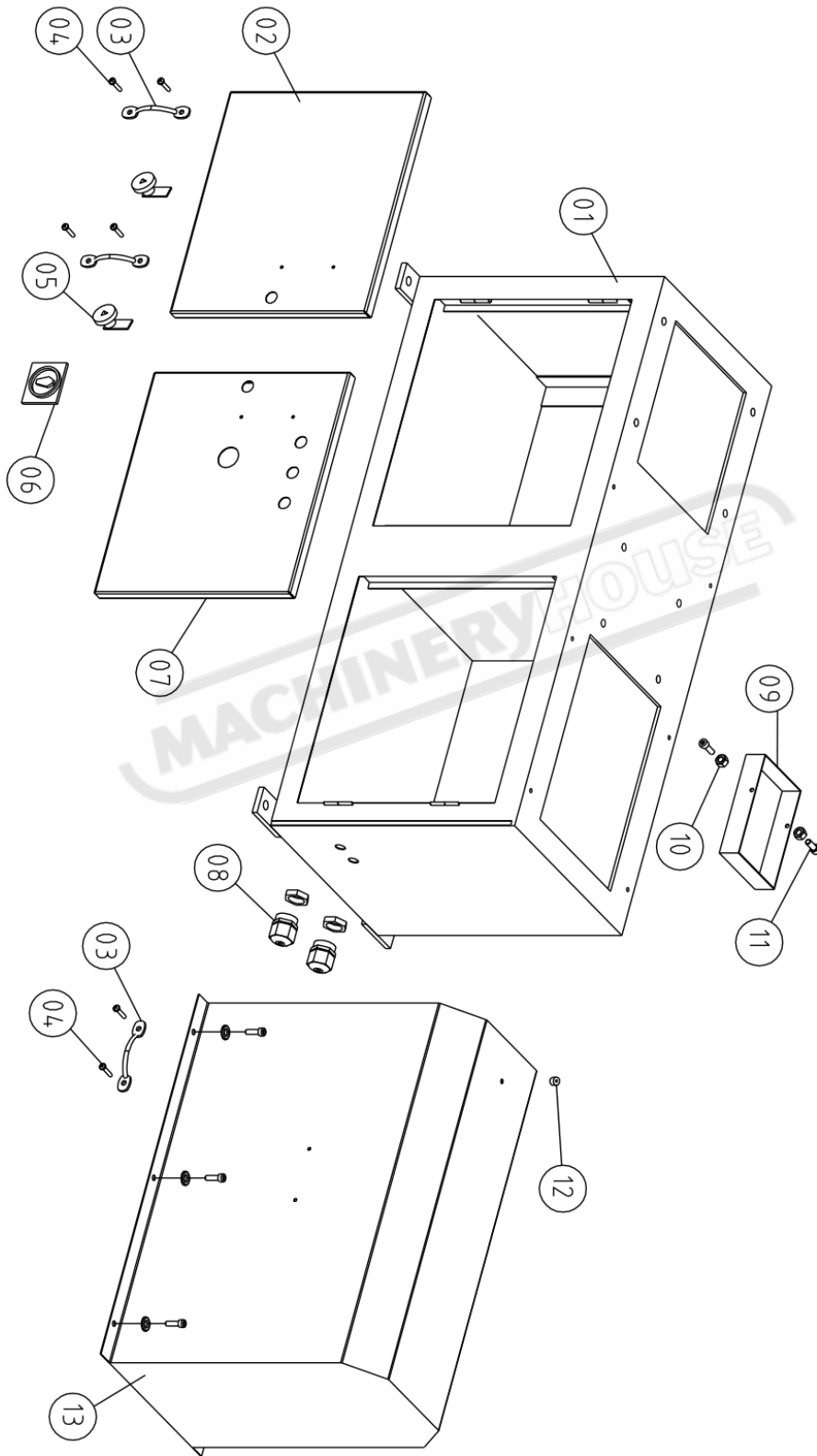
CONTENTS

Wiring Diagram.....	22
SJM-2.5 Cabinet Diagram.....	23
SJM-2.5 Spare Parts Diagram.....	24
SJM-2.5 Spare Parts List.....	25
SJM-4.0 Cabinet Diagram.....	26
SJM-4.0 Spare Parts Diagram.....	27
SJM-4.0 Spare Parts List.....	28

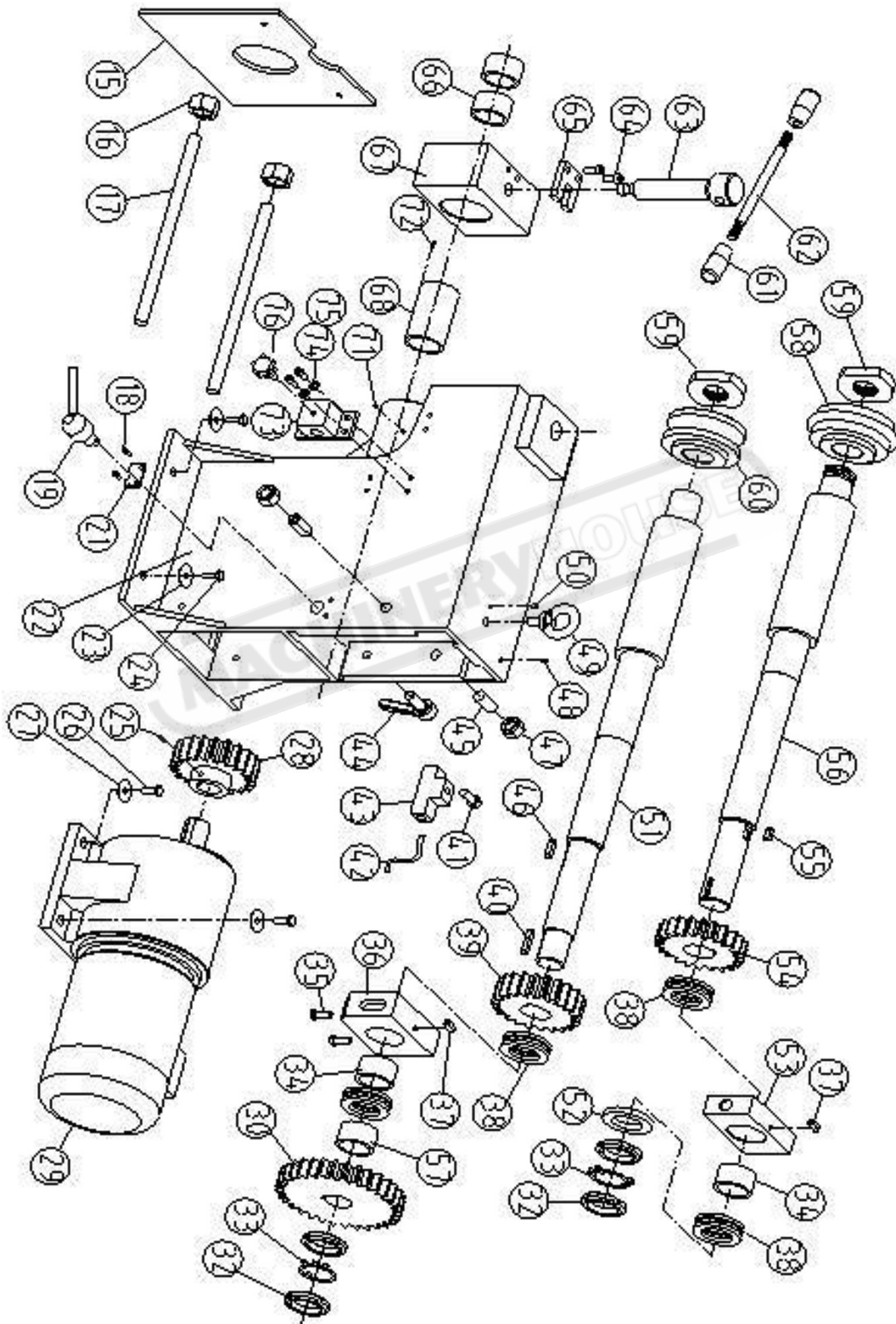
ELECTRICAL DIAGRAM



SJM-2.5 CABINET SPARE PARTS DIAGRAM



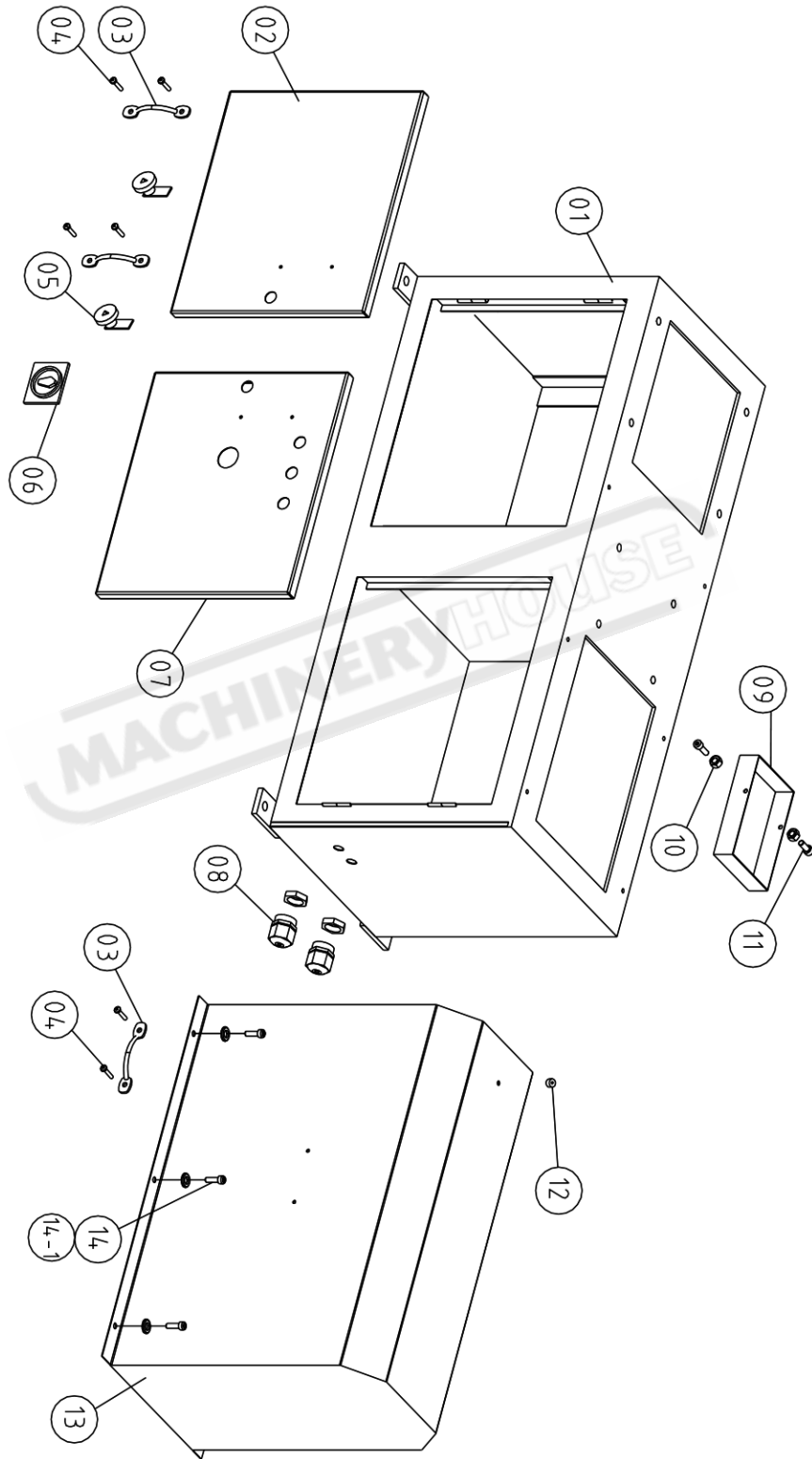
SJM-2.5 SPARE PARTS DIAGRAM



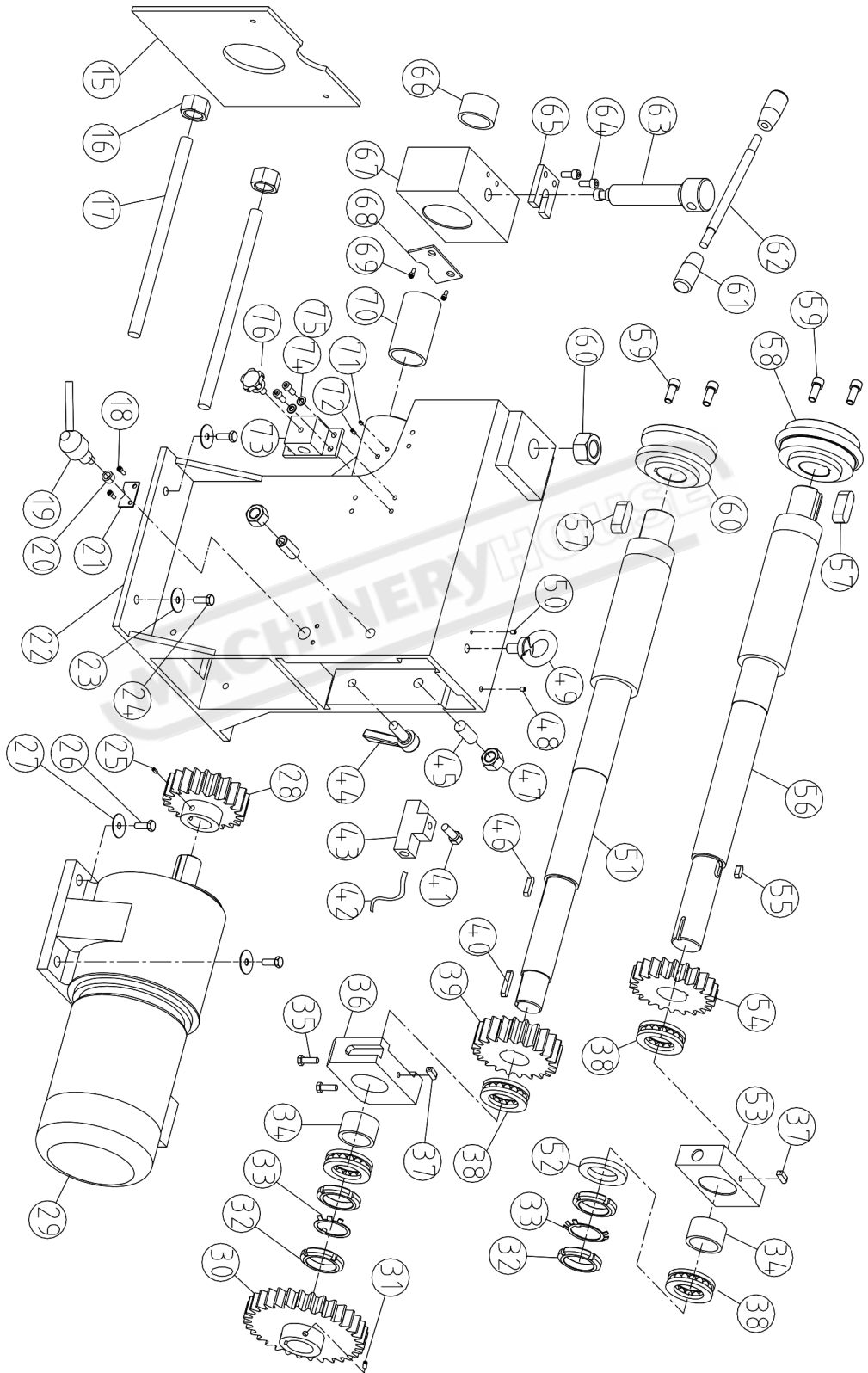
SJM-2.5 SPARE PARTS LIST

ITEM	DESCRIPTION	QTY.	ITEM	DESCRIPTION	QTY.
1	BASE	1	42	TRANSFER PIPE	1
2	LEFT COVER	1	43	BLOCK	1
3	HANDLE	4	44	ADJUSTING HANDLE	1
4	SCREW	8	45	SCREW M20X60	2
5	SAFETY LOCK	1	46	FLAT KEY 14X36	1
6	KNOB	1	47	NUT M20	2
7	RIGHT COVER	1	48	OIL CUP M8	1
8	TOW	2	49	SCREW M16	1
9	OIL BOX	1	50	OIL CUP 8	1
10	NUT	2	51	LOWER SHAFT	1
11	BOLT	2	52	PAD	1
12	OIL CUP	2	53	BACK SEAT	1
13	SAFETY GUARD	1	54	GEAR	1
14	SCREW	6	55	FLAT KEY 14X28	1
14.1	WASHER	6	56	UPPER SHAFT	1
15	STOP PLATE	1	57	SLEEVE	1
16	NUT M10	2	58	UPPER ROLLER	1
17	SLIDE SHAFT	2	59	NUT	2
18	SCREW	2	60	LOWER ROLLER	1
19	ECCENTRIC SHAFT	1	61	HANDLE BALL	2
20	BUSH	1	62	HANDLE LEVER	1
21	PLATE	1	63	SCREW ROD	1
22	BODY	1	64	SCREW	2
23	WASHER	4	65	STOP	1
24	BOLT M16X35	4	66	BEARING	2
25	SCREW	1	67	FRONT SEAT	1
26	BOLT M16X35	4	68	LOWER SLEEVE	1
27	WASHER M16	4	71	OIL CUP 8	1
28	GEAR	1	72	SCREW M8X12	2
29	REDUCER	1	73	APRON BLOCK	2
30	GEAR	1	74	WASHER M8	4
32	ROUND NUT	4	75	SCREW M8X25	4
33	LOCKING RING	2	76	STAR-HANDLE M10	2
34	BEARING	2			
35	SCREW	2			
36	BEARING SEAT	1			
37	BLOCK	2			
38	BEARING 51210	4			
39	GEAR	1			
40	FLAT KEY	1			
41	BOLT	2			

SJM-4.0 CABINET DIAGRAM



SJM-4.0 SPARE PARTS DIAGRAM



SJM-4.0 SPARE PARTS LIST

ITEM	DESCRIPTION	QTY.	ITEM	DESCRIPTION	QTY.
1	BASE	1	42	TRANSFER PIPE	1
2	LEFT COVER	1	43	BLOCK	1
3	HANDLE	4	44	ADJUSTING HANDLE	1
4	SCREW	8	45	SCREW M20X60	2
5	SAFETY LOCK	1	46	FLAT KEY 14X36	1
6	KNOB	1	47	NUT M20	2
7	RIGHT COVER	1	48	OIL CUP M8	1
8	TOW	2	49	SCREW M16	1
9	OIL BOX	1	50	OIL CUP 8	1
10	NUT	2	51	LOWER SHAFT	1
11	BOLT	2	52	PAD	1
12	OIL CUP	2	53	BACK SEAT	1
13	SAFETY GUARD	1	54	GEAR	1
14	SCREW	6	55	FLAT KEY 14X28	1
14.1	WASHER	6	56	UPPER SHAFT	1
15	STOP PLATE	1	57	SLEEVE	1
16	NUT M10	2	58	UPPER ROLLER	1
17	SLIDE SHAFT	2	59	NUT	2
18	SCREW	2	60	LOWER ROLLER	1
19	ECCENTRIC SHAFT	1	61	HANDLE BALL	2
20	BUSH	1	62	HANDLE LEVER	1
21	PLATE	1	63	SCREW ROD	1
22	BODY	1	64	SCREW	2
23	WASHER	4	65	STOP	1
24	BOLT M16X35	4	66	BEARING	2
25	SCREW	1	67	FRONT SEAT	1
26	BOLT M16X35	4	68	LOWER SLEEVE	1
27	WASHER M16	4	71	OIL CUP 8	1
28	GEAR	1	72	SCREW M8XL2	2
29	REDUCER	1	73	APRON BLOCK	2
30	GEAR	1	74	WASHER 8	4
32	ROUND NUT	4	75	SCREW M8X25	4
33	LOCKING RING	2	76	STAR-HANDLE M10	2
34	BEARING	2			
35	SCREW	2			
36	BEARING SEAT	1			
37	BLOCK	2			
38	BEARING 51210	4			
39	GEAR	1			
40	FLAT KEY	1			
41	BOLT	2			